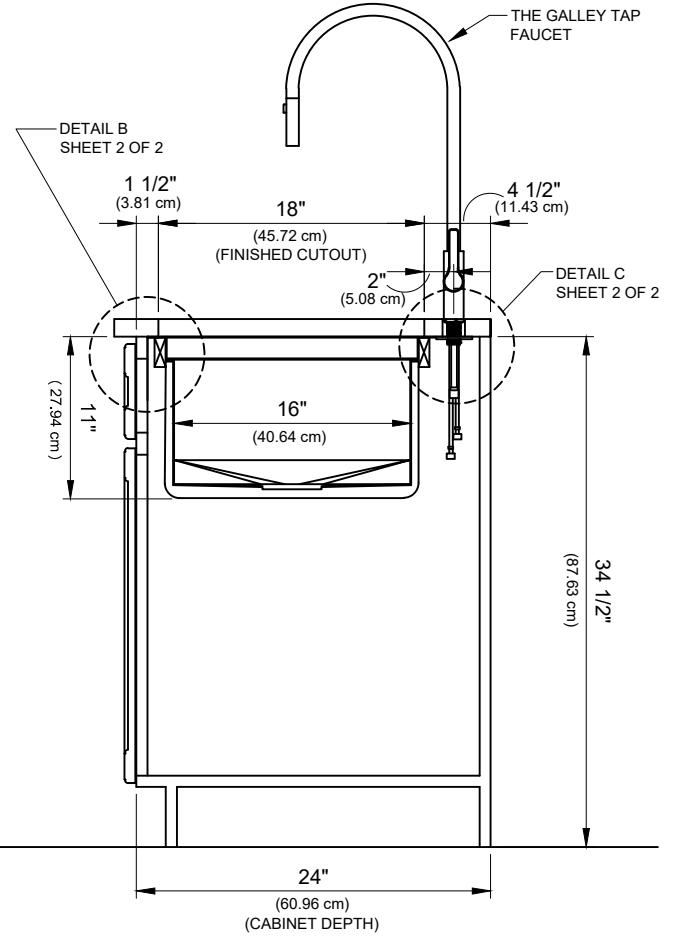
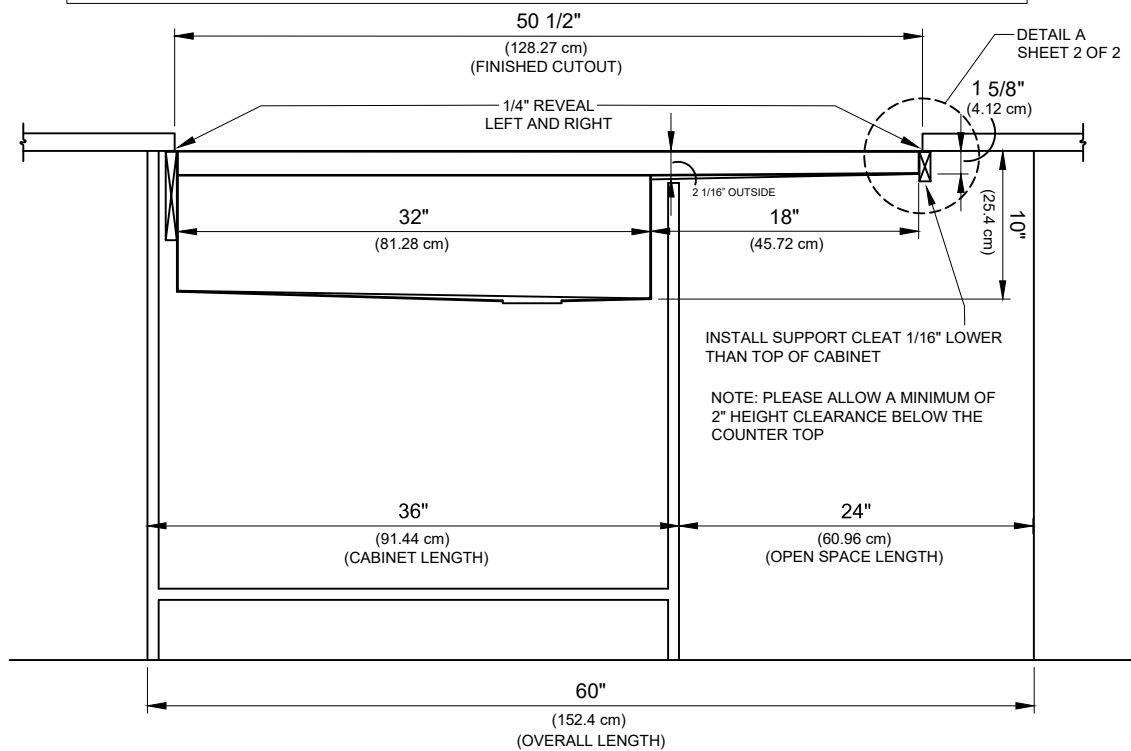


SUGGESTED PLACEMENT FOR THE GALLEY TAP AND OPTIONAL ACCESSORIES

T. GALLEY TAP	INSTALL HOLE DIAMETERS
1. GALLEY SOAP DISPENSER OR DECK SWITCH	GALLEY TAP: 1 3/8" MAX
2. GALLEY DECK SWITCH OR AUTOMATIC KITCHEN STRAINER KNOB OR *HOT & COLD WATER DISPENSER	GALLEY DECK SWITCH: 1 3/8" MAX
3. GALLEY *HOT & COLD WATER DISPENSER OR SOAP DISPENSER	GALLEY SOAP DISPENSER: 1" MIN TO 1 3/8" MAX

*AVAILABLE 2018
 NOTE: CENTER HOLE DIAMETERS 2" BEHIND CUTOUT



INSTALLATION AND COUNTER TOP CUTOUT DETAIL

SHEET 1 OF 2

STAINLESS STEEL COMPLIANCE ASME A112.19.3-2008/CSA B45.4-08

WE RESERVE THE RIGHT TO MAKE REVISIONS WITHOUT NOTICE IN THE DESIGN OF PRODUCTS OR IN PACKAGING UNLESS THIS RIGHT HAS SPECIFICALLY BEEN WAIVED AT THE TIME THE ORDER IS ACCEPTED.

IWS-3-S-SS+DD-18-S-SS



